

JP11-326922E

[Title of the Invention] METHOD OF MANUFACTURING LIQUID
CRYSTAL DISPLAY PANEL

[Abstract]

[Object] To realize an excellent panel display at the periphery of a display portion by suppressing the variation of a cell gap around the sealant of the liquid crystal display panel.

[Solving Means] Glass substrates 1 and 2 have transparent electrodes, the glass substrate 2 is provided with a first sealant 6 enclosing a display cell area and a second sealant 9 enclosing the first sealant 6 in a ring shape, and liquid crystal 8 is dropped in the display cell area; and the glass substrates 1 and 2 are bonded to each other under reduced pressure and then returned to the atmospheric pressure to cure the two sealants 6 and 9. Consequently, a pressure reduced state is produced between the first sealant 6 and the second sealant 9 and the glass substrates 1 and 2 are firmly bonded to each other around the first sealant 6 under the atmospheric pressure to form a stable seal gap of the first sealant 6.

[Claims]

[Claim 1] A method of manufacturing a liquid crystal display panel comprising the steps of arranging a pair of

glass substrates having transparent electrodes in the surface thereof to be opposite to each other;

forming a first sealant enclosing a display cell area including electrodes required for the panel display and a second sealant enclosing the first sealant in a ring shape in an outside area of the first sealant in one glass substrate;

dropping liquid crystals in the display cell area that is an inner side of the first sealant and arranging the other opposing glass substrate in the one glass substrate under reduced pressure; and

bonding the glass substrates to each other by making the space enclosed by the first sealant and the second sealant between a pair of vertical glass substrates to be a pressure reduced state.

[Claim 2] The method according to claim 1, further comprising the step of removing the second sealant by cutting after curing the first and second sealants.

[Claim 3] The method according to claim 1 or 2, further comprising the step of making a distance from the first sealant enclosing one display cell area to the second sealant arranged in the outside of the first sealant to be 2 to 7mm.

[Detailed Description of the Invention]

[0001]

[Technical Field of the Invention]

The present invention relates to a method of manufacturing a liquid crystal display panel which provides an excellent display in the periphery of a display portion of a liquid crystal display panel.

[0002]

[Description of the Related Art]

A liquid crystal display (LCD) is to display an image by changing specific initial molecule arrangement of a liquid crystal molecule to other molecule arrangement by a function such as application of electric field and using the change of an optical nature of liquid crystal cell accompanied by the changed molecule arrangement. Because the LCD has advantages such as thin, light weight, low voltage, and low power operation, compared to other display element, it has been used in various fields from an office automation (OA) field that is represented by a personal computer to household appliances and industrial equipment field. Specifically, in the OA field, high precision, large capacity, and large screen are requested to the LCD and the uniformity of the display is also requested.

[0003]

Recently, the LCD device is divided into a super twisted nematic (STN)-type LCD made by a simple matrix

method and a thin film transistor (TFT)-type LCD made by an active matrix method. Specifically, in the STN type LCD, because the deviation in a cell gap between substrates is sensitively reflected by the change of a birefringence effect, an uneven cell gap is apt to generate. For a cell gap of about 5 to 8 μm , the variation of the cell gap at the periphery of the display portion is required to control within a range of 0.03 to 0.05 μm .

[0004]

Figs. 3(a) and 3(b) show a schematic construction of an embodiment of a liquid crystal display panel and Fig. 3(a) is a cross-sectional view thereof and Fig. 3(b) is a plan view thereof. An alignment film 5 is formed on the glass substrate 1 in which transparent electrodes 3 and 4 are formed, the circumference of a display cell area is enclosed by a sealant 6, liquid crystals 8 are filled within the cell composed of the glass substrates 1 and 2 and the sealant 6, and spacers 7 are arranged to maintain a gap.

[0005]

Conventionally, as a method of manufacturing a liquid crystal display panel, there are two methods as follows: one method comprises the steps of making an empty panel having a cell structure by bonding and fixing glass substrates having electrodes arranged opposite to each other with a sealant having an opening portion at a portion thereof to enclose a

display cell area and filling up liquid crystals to the opening portion by a vacuum injection method which uses the capillary phenomenon and the pressure difference.

[0006]

The other is a method of drastically shortening the time required for filling up the liquid crystals in the vacuum injection method and is disclosed as a liquid crystal dropping and manufacturing method in Japanese Unexamined Patent Application Publication No. S62 - 89025. Hereinafter, the method will be described with reference to Fig. 4. Further, the same elements as the liquid crystal display panel shown in FIG. 3 are denoted by like reference numerals.

[0007]

As shown in Fig. 4(a), in the glass substrates 1 and 2 having transparent electrodes arranged to opposite to each other, spacers 7 are arranged to maintain a gap in the glass substrate 1 and a sealant 6 is formed to enclose a display cell area in a glass substrate 2, and a predetermined amount of liquid crystals 8 are dropped in the portion enclosed by the sealant 6. Next, after the glass substrates 1 and 2 are bonded to each other under reduced pressure, they returned to the atmospheric pressure to cure the sealant 6. The state is shown in Fig. 3(b). Further, the glass substrates are cut to a predetermined size to obtain a liquid crystal display panel.

[0008]

[Problems to be Solved by the Invention]

However, in the conventional liquid crystal dropping and manufacturing method, when the glass substrates are returned to the atmospheric pressure after they are bonded to each other under reduced pressure, the inside (the decompressed side in which liquid crystals 8 are maintained) of the sealant 6 is maintained in a decompressed state and thus the glass substrates 1 and 2 are pressed, but there is no pressing pressure in the glass substrate 1 and 2 in the outside (the atmospheric pressure side) of the sealant 6. Therefore, as shown in Fig. 3(b), the glass substrate 1 and 2 are distorted at the inside and outside of the sealant 6 and thus a cell gap at the periphery of the sealant 6 is not stable, whereby the panel display at the periphery of the display portion is deteriorated.

[0009]

The present invention is to solve the above-mentioned problem, and an object of the present invention is to provide a method of manufacturing a liquid crystal display panel capable of enhancing the panel display at the periphery of the display portion.

[0010]

[Means for Solving the Problems]

In order to achieve the above-mentioned object, there

is provided a method of manufacturing a liquid crystal display panel comprising the step of providing an additional sealant enclosing the sealant in a ring shape so that when the glass substrates are returned to the atmospheric pressure after they are bonded to each other under reduced pressure, the outside of the sealant enclosing a display cell area becomes the space in a pressure reduced state.

[0011]

As the panel is provided with the additional sealant, it is possible to enhance the panel display at the periphery of the display portion.

[0012]

[Description of the Embodiments]

The invention described in claim 1 of the present invention relates to a method of manufacturing a liquid crystal display panel comprising the steps of arranging a pair of glass substrates having transparent electrodes in the surface thereof to be opposite to each other; forming a first sealant enclosing a display cell area including electrodes required for the panel display and a second sealant enclosing the first sealant in a ring shape in the outside area of the first sealant in one glass substrate; dropping liquid crystals in a display cell area that is an inner side of the first sealant and arranging the other opposing glass substrate in the one glass substrate under

reduced pressure; and bonding the glass substrates to each other by making the space enclosed by the first sealant and the second sealant between a pair of vertical glass substrates to be in a pressure reduced state. Consequently, because an area enclosed by the first sealant enclosing the display cell area and the second sealant is decompressed, the two vertical glass substrates are firmly bonded to each other in the atmospheric pressure, and as a result, a gap around the first sealant becomes uniform, and thus the panel display at the periphery of a display portion is greatly enhanced.

[0013]

The invention described in claim 2 of the present invention relates to a method of manufacturing a liquid crystal display panel comprising the step of removing the second sealant by cutting it after curing the first and second sealants in the invention described in claim 1. Consequently, it is possible to use the liquid crystal display panel as in a conventional design without changing a shape of the sealant enclosing a display cell area in a final liquid crystal display panel.

[0014]

The invention described in claim 3 of the present invention relates to a method of manufacturing a liquid crystal display panel comprising the step of making a

distance from the first sealant enclosing one display cell area to the second sealant arranged in the outside of the first sealant to be 2 to 7mm in the invention described in claim 1 or 2. Consequently, it is possible to uniformly maintain a gap around the first sealant without obtaining desired effects because a decompressed area enclosed by the first sealant and the second sealant is very small and without causing a dent portion in the glass substrates due to a very large decompressed area, so that it is possible to further enhance the panel display at the periphery of the display portion.

[0015]

[Embodiments]

Hereinafter, an embodiment of the present invention will be described with reference to Figs. 1 and 2. Fig. 1(a) is a perspective view illustrating a state before bonding glass substrates in a method of manufacturing a liquid crystal display panel according to an embodiment of the present invention. Fig. 1(b) is a plan view illustrating a state after bonding the glass substrates in a method of manufacturing a liquid crystal display panel according to the embodiment. Fig. 1(c) is a cross-sectional view illustrating a state after bonding the glass substrates in a method of manufacturing a liquid crystal display panel according to the embodiment. Further, elements having a

similar function with the conventional liquid crystal display panel are denoted by like reference numerals.

[0016]

First, as shown in Fig. 1(a), a first sealant 6 enclosing an display cell area including electrodes required for a panel display and a second sealant 9 which is spaced by a predetermined distance to enclose the first sealant 6 from the outside in a ring shape are formed on at least one surface of the glass substrates 1 and 2 having transparent electrodes in which the surface thereof is aligned. The sealants 6 and 9 are made of a sealant made of an ultraviolet rays setting resin, etc. by a screen printing method or a dispenser drawing method. Further, spacers 7 are arranged to maintain a gap in at least one of the glass substrates 1 and 2 and a proper amount of liquid crystals 8 are dropped in the display cell area. Here, as the glass substrates 1 and 2 are returned to the atmospheric pressure after they are bonded to each other under reduced pressure, a panel shown in Figs. 1(b) and 1(c) is obtained.

[0017]

At this state, the space enclosed by the first sealant 6 and the second sealant 9 and the glass substrates 1 and 2 becomes decompressed space 10. Further, a liquid crystal display panel is obtained by dividing the glass substrates 1 and 2 into a cutting line 11 separated in a predetermined

distance at the inside of the second sealant 9 after the sealants 6 and 9 are completely cured and a cell gap is uniformly formed.

[0018]

Here, as shown in Fig. 2, according to a distance between the first sealant 6 and the second sealant 9, the force in which the decompressed space 10 is applied to the glass substrates 1 and 2 is different. As shown in Fig. 2(c), when the distance is less than 2mm, there is little force to be applied to the decompressed space 10 and thus the first sealant 6 is not bonded to the substrates. Further, as shown in Fig. 2(d), when the distance is more than 7mm, the force in which the decompressed space 10 is applied to the glass substrates 1 and 2 is very large and thus the glass substrates has a dent portion b, whereby the glass substrates 1 and 2 around the first sealant 6 can not form an uniform cell gap. As a result, in order to allow the first sealant 6 to have the bonding force to the substrates and form an uniform cell gap, as shown in Figs. 2(a) and 2(b), it is good to set a distance in the range of 2 to 7mm. When the cell gap is 8 μ m, the variation of the cell gap at the periphery of the display portion can be controlled to 0.05 μ m or less, and when the cell gap is 5 μ m, the variation of the cell gap at the periphery of the display portion can be controlled to 0.03 μ m or less.

[0019]

A uniform cell gap is obtained around the first sealant 6 of a liquid crystal display panel manufactured in the embodiment, compared to the conventional panel and thus a liquid crystal display panel having an excellent panel display at the periphery of the display portion is obtained.

[0020]

[Advantage]

As described above, according to the present invention, in order to avoid an uneven cell gap at the periphery of a display portion of a liquid crystal display panel, a stable cell gap is obtained by providing a dummy cell (a second sealant) of a ring shape in the outside of the sealant enclosing the display cell area and making space between the first sealant enclosing the display cell area and the second sealant in the outside of the first sealant to be in a decompressed state, so that it is possible to realize a liquid crystal display panel having an excellent panel display at the periphery of the display portion.

[Brief Description of the Drawings]

[Fig. 1]

Fig. 1(a) is a perspective view illustrating a state before bonding glass substrates in a method of manufacturing a liquid crystal display panel according to an embodiment of the present invention.

Fig. 1(b) is a plan view illustrating a state after bonding the glass substrates in a method of manufacturing a liquid crystal display panel according to the embodiment.

Fig. 1(c) is a cross-sectional view illustrating a state after bonding the glass substrates in a method of manufacturing a liquid crystal display panel according to the embodiment.

[Fig. 2]

Fig. 2(a) is a plan view illustrating a liquid crystal display panel in which a distance between the sealants is 2 to 7mm according to the embodiment.

Fig. 2(b) is a cross-sectional view illustrating a liquid crystal display panel in which a distance between the sealants is 2 to 7mm according to the embodiment.

Fig. 2(c) is a cross-sectional view illustrating a liquid crystal display panel in which a distance between the sealants is less than 2mm according to the embodiment.

Fig. 2(d) is a cross-sectional view illustrating a liquid crystal display panel in which a distance between the sealants is more than 7mm according to the embodiment.

[Fig. 3]

Fig. 3(a) is a cross-sectional view illustrating a schematic construction according to an embodiment of a liquid crystal display panel.

Fig. 3(b) is a plan view illustrating a schematic

construction according to an embodiment of a liquid crystal display panel.

[Fig. 4]

Fig. 4(a) is a perspective view illustrating a conventional liquid crystal dropping and manufacturing method.

Fig. 4(b) is a cross-sectional view illustrating a liquid crystal display panel bonded by a conventional liquid crystal dropping and manufacturing method.

[Reference Numerals]

- 1,2: glass substrate
- 6: first sealant
- 7: spacer
- 8: liquid crystal
- 9: second sealant
- 10: decompressed space
- 11: cutting line of panel

(51)Int. Cl. ⁶	識別記号	F I
G02F 1/1339	505	G02F 1/1339 505
1/13	101	1/13 101

審査請求 未請求 請求項の数3 O L (全5頁)

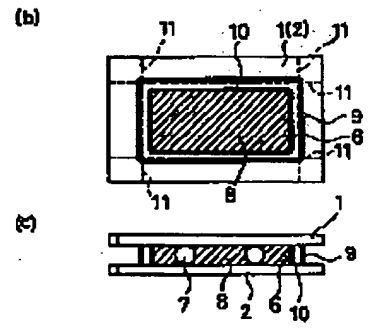
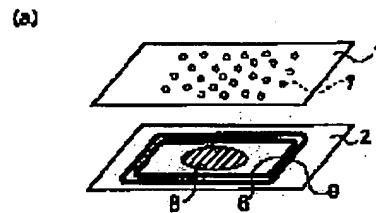
(21)出願番号	特願平10-130893	(71)出願人	000005821 松下電器産業株式会社 大阪府門真市大字門真1006番地
(22)出願日	平成10年(1998)5月14日	(72)発明者	荻野 雄司 大阪府門真市大字門真1006番地 松下電器 産業株式会社内
		(74)代理人	弁理士 森本 義弘

(54)【発明の名称】 液晶表示パネルの製造方法

(57)【要約】

【課題】 液晶表示パネルにおけるシール材近傍において、セルギャプの変動を抑制し、表示部周囲での優れたパネル表示を実現する。

【解決手段】 透明電極を有するガラス基板1、2において、表示セル領域を囲む第1のシール材6とこの第1のシール材6を環状に囲む第2のシール材9とをガラス基板2に設け、表示セル領域に液晶8を滴下した構成で、減圧下においてガラス基板1、2を貼合わせ、その後大気圧に戻して両方のシール材6、9を硬化させる。この製造方法により、第1のシール材6と第2のシール材9との間において減圧状態となり、大気圧により第1のシール材6の近傍のガラス基板1、2がより密着され、第1のシール材6における安定したシールギャプが形成でき、表示周囲に対して優れた品位を持つ液晶表示パネルが実現できる。



- 1, 2...ガラス基板
- 6...第1のシール材
- 7...スペーサ
- 8...液晶
- 9...第2のシール材
- 10...減圧室
- 11...パネル外面

【特許請求の範囲】

【請求項1】 表面に透明電極を有する一对のガラス基板を対向配置し、一方のガラス基板に、パネル表示に必要な電極を含む表示セル領域を囲む第1のシール材と、前記第1のシール材の外側の領域に、前記第1のシール材を環状に囲む第2のシール材を形成し、前記第1のシール材の内側である表示セル領域に液晶を滴下し減圧下で対向する他方のガラス基板を前記一方のガラス基板に配置するとともに、上下一対のガラス基板間において前記第1のシール材と前記第2のシール材で囲まれる空間を減圧状態にして、ガラス基板同士を貼り合わせることを特徴とする液晶表示パネルの製造方法。

【請求項2】 第1及び第2のシール材を硬化させた後、前記第2のシール材を切断によって排除することを特徴とする請求項1に記載の液晶表示パネルの製造方法。

【請求項3】 一つの表示セル領域を囲む第1のシール材から、外側に配置する第2のシール材までの離間距離を2mm～7mmとすることを特徴とする請求項1または2に記載の液晶表示パネルの製造方法。

【発明の詳細な説明】

【0001】

【発明の属する技術分野】 本発明は、液晶表示パネルの表示部周囲における品位向上を図るための製造方法に関するものである。

【0002】

【従来の技術】 液晶ディスプレイ(LCD: Liquid Crystal Display)は、液晶分子の特定な初期分子配列を、電場印加などの作用で他の分子配列状態に変化させ、この分子配列に伴う液晶セルの光学的性質の変化を利用して画像表示させるものである。LCDは、他の表示素子に比べて薄型・軽量、低電圧・低電力動作などの利点を兼ね備えていることから、パーソナルコンピュータに代表されるOA(Office Automation)分野から、家電・産業機器の分野まで多岐にわたって使用されている。特に、OA分野におけるLCD市場においては、高精細化、大容量化、大画面化などの要求が高まっている状況であり、これに伴い表示均一性も求められている。

【0003】 現在、LCD市場では、単純マトリクス方式のSTN(Super Twisted Nematic)形LCDと、アクティブマトリクス方式のTFT(Thin Film Transistor)形LCDがある。特に、STN形LCDでは、基板間のセルギャップのばらつきが複屈折効果の変化として敏感に反映されるため、ギャップむらが生じやすく、セルギャップが5～8 μ m程度に対し、表示部内のセルギャップ変動を、0.05～0.03 μ m以下に制御する必要がある。

【0004】 液晶表示パネルの一例の概略的な構成を図

3に示し、(a)はパネル断面図、(b)は平面図である。透明電極3、4が形成されているガラス基板1、2上に配向膜5を形成し、表示セル領域の周囲をシール材6で囲み、ガラス基板1、2とシール材6とで形成されるセル内に液晶8が封入され、ギャップ保持のためのスペーサ7を配置している。

【0005】 従来、この液晶表示パネルを製造する方法としては、一般的に次のような2つの方法が提案されている。一方の製造方法は、対向配置された電極を有するガラス基板を、表示セル領域を囲むように一部に開口部を設けたシール材で接着固定してセル構造の空のパネルを作り、液晶を開口部より毛細管現象と圧力差を利用した真空注入法により充填させるものである。

【0006】 もう一つの製造方法は、上記の真空注入方法に対し、液晶を充填させるのに要する時間を大幅に短縮することが出来る方法であり、特開昭62-89025号公報に液晶滴下組立方法として開示されている。以下、その方法について図4を参照しながら説明する。なお、図3の液晶表示パネルと同機能のものには同符号を付す。

【0007】 図4の(a)に示すように、対向配置された透明電極を有するガラス基板1、2において、ガラス基板1にギャップ保持のためのスペーサ7を配置し、ガラス基板2に表示セル領域を囲むシール材6を形成し、このシール材6で囲まれた部分に液晶8を所定量滴下する。次に、ガラス基板1、2を減圧下で貼合わせた後、大気圧に戻してシール材6を硬化させる。その状態を図3の(b)に示す。更にこの後所定寸法に切断断して液晶表示パネルを得る。

【0008】

【発明が解決しようとする課題】 しかしながら上記従来例の液晶滴下組立方法では、減圧下での貼合わせ後、大気圧に戻した時に、シール材6の内側(液晶8がある減圧側)では減圧状態が保たれるためにガラス基板1、2が押さえられるが、シール材6の外側(大気圧側)のガラス基板1、2においては押さえる圧力がないため、図3の(b)に示すように、シール材6の内側と外側で前記ガラス基板1、2が歪み、シール材6の近傍箇所aのセルギャップが安定せず、表示部周囲における品位低下を招いていた。

【0009】 本発明は上記従来例の課題を解決するもので、表示部周囲における品位の向上を図ることのできる液晶表示パネルの製造方法を提供することを目的とする。

【0010】

【課題を解決するための手段】 上記課題を解決するために本発明は、減圧下での貼合わせ後大気圧に戻した時に、表示セル領域を囲むシール材の外側が減圧状態の空間になるように、前記シール材を環状に囲むシール材をさらに設けるように構成したものである。

【0011】これにより、表示部周囲における品位の向上を図ることができる。

【0012】

【発明の実施の形態】本発明の請求項1に記載の発明は、表面に透明電極を有する一対のガラス基板を対向配置し、一方のガラス基板に、パネル表示に必要な電極を含む表示セル領域を囲む第1のシール材と、前記第1のシール材の外側の領域に、前記第1のシール材を環状に囲む第2のシール材を形成し、前記第1のシール材の内側である表示セル領域に液晶を滴下し減圧下で対向する他方のガラス基板を前記一方のガラス基板に配置するとともに、上下一対のガラス基板間において前記第1のシール材と前記第2のシール材で囲まれる空間を減圧状態にして、ガラス基板同士を貼り合わせることを特徴とする液晶表示パネルの製造方法であり、この方法により、表示セル領域を囲む第1のシール材と第2のシール材で囲まれた領域が減圧となるので、大気圧で上下の2枚のガラス基板がより密着され、その結果、第1のシール材近傍のギャップが均一になり、表示部周囲の品位が飛躍的に向上する。

【0013】請求項2に記載の発明は、請求項1に記載の液晶表示パネルの製造方法において、第1及び第2のシール材を硬化させた後、前記第2のシール材を切断によって排除するものであり、この方法により、最終の液晶表示パネルにおける表示セル領域を囲むシール材の形状を変更することなく、従来の設計のまま使用することが出来る。

【0014】請求項3に記載の発明は、請求項1または2に記載の液晶表示パネルの製造方法において、一つの表示セル領域を囲む第1のシール材から、外側に配置する第2のシール材までの離間距離を2mm～7mmとするものであり、この方法により、第1のシール材と第2のシール材で囲まれた減圧領域が小さ過ぎて効果をあまり得られなかったり、減圧領域が大き過ぎてガラス基板に凹み現象を生じたりすることがなく、第1のシール材近傍のギャップを良好に均一にできて、表示部周囲の品位をさらに向上させることができる。

【0015】（実施の形態）以下、本発明の実施の形態について、図1から図2を用いて説明する。図1の

(a)は本実施の形態にかかる液晶表示パネルの製造方法における製造過程であるガラス基板貼合わせ前の状態の斜視図、(b)はガラス基板貼合わせ後の平面図、

(c)はガラス基板貼合わせ後の正面断面図を示している。なお、従来の液晶表示パネルと同機能のものには同符号を付す。

【0016】まず、図1の(a)に示すように、表面を配向処理した透明電極付きのガラス基板1、2の少なくとも一方の表面上に、パネル表示に必要な電極を含む表示セル領域を囲む第1のシール材6と、この第1のシール材6を外側から環状に囲むように所定距離間させて

第2のシール材9とをそれぞれ形成する。これらのシール材6、9は紫外線硬化型樹脂等よりなるシール材料をスクリーン印刷法やディスペンサ描画法により形成する。また、ガラス基板1、2の少なくとも一方にギャップ保持のためのスペーサ7を配置し、表示セル領域に適量の液晶8を滴下する。ここで、ガラス基板1、2を減圧下において貼り合わせた後、大気圧に戻すことで、図1の(b)、(c)に示すパネルが得られる。

【0017】この状態において、第1のシール材6と第2のシール材9とガラス基板1、2により囲まれる空間が減圧空間10となる。さらにこの後、これらのシール材6、9を完全に硬化させ、セルギャップが均一に安定した後、液晶表示パネルにするため、第2のシール材9の内側にある所定の寸法の切断線11により分断させて、液晶表示パネルを得る。

【0018】ここで、図2に示すように、第1のシール材6と第2のシール材9との間の離間距離により、減圧空間10がガラス基板1、2に及ぼす力が異なることが解った。離間距離が2mm未満のものにおいては、図2の(c)に示すように、減圧空間10に及ぼす力が殆どなく、第1のシール材6を密着させることができないことが解った。また、離間距離を7mmより大きくすると図2の(d)に示すように、減圧空間10がガラス基板1、2に及ぼす力が大きくなりすぎて凹みbが生じ、その影響で第1のシール材6付近のガラス基板1、2は、均一なセルギャップを作ることができなくなることが解った。この結果、第1のシール材6の密着力と均一なセルギャップを安定して作り出すには、図2の(a)、(b)に示すように離間距離を2mmから7mmに設定することがよいという結果が導き出すことができ、セルギャップが8 μ mである場合には表示部内のセルギャップ変動を0.05 μ m以下に制御することができ、セルギャップが5である場合には表示部内のセルギャップ変動を0.03 μ m以下に制御することができた。

【0019】この実施の形態により作製した液晶表示パネルにおいては、従来のパネルに比べて、第1のシール材6付近におけるセルギャップの均一化が図れ、表示周囲に対して優れた品位を持つ液晶表示パネルが得られた。

【0020】

【発明の効果】以上のように本発明によれば、液晶表示パネルの表示周囲におけるギャップ不具合に対して、表示セル領域を囲むシール材硬化時にさらに外側に環状になるようなダミーシール(第2のシール材)を設け、表示セル領域を囲む第1のシール材とその外側の第2のシール材の間の空間を減圧状態にすることにより、安定したシールギャップになり、表示周囲に対して優れた品位を持つ液晶表示パネルを実現できる。

【図面の簡単な説明】

【図1】(a)は本発明の実施の形態にかかる液晶表示

パネルの製造方法におけるガラス基板貼合わせ前の状態の斜視図

(b) は同実施の形態のガラス基板貼合わせ後の平面図

(c) は同実施の形態のガラス基板貼合わせ後の正面断面図

【図2】 (a) は同実施の形態におけるシール材間の離間距離を2mmから7mmとしたときの平面図

(b) は同実施の形態におけるシール材間の離間距離を2mmから7mmとしたときの正面断面図

(c) はシール材間の離間距離を2mm未満としたときの正面断面図

(d) はシール材間の離間距離を7mmより大きくしたときの正面断面図

【図3】 (a) は液晶表示パネルの一例の概略構成を示

す正面断面図

(b) は液晶表示パネルの一例の概略構成を示す平面図

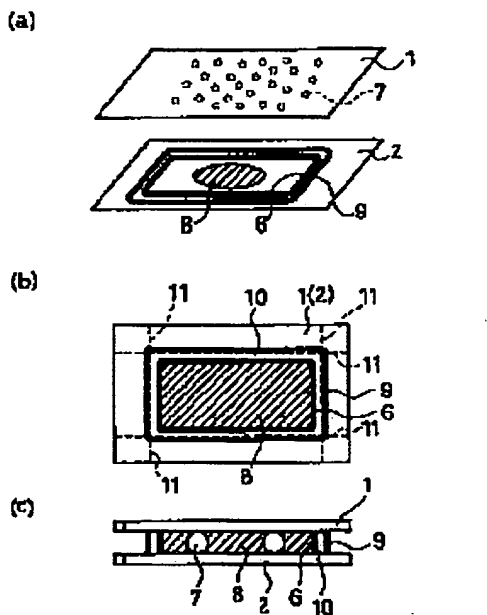
【図4】 (a) は従来の、液晶滴下組立方法の説明のための斜視図

(b) は従来の、液晶滴下組立方法での貼合わせ後の正面断面図

【符号の説明】

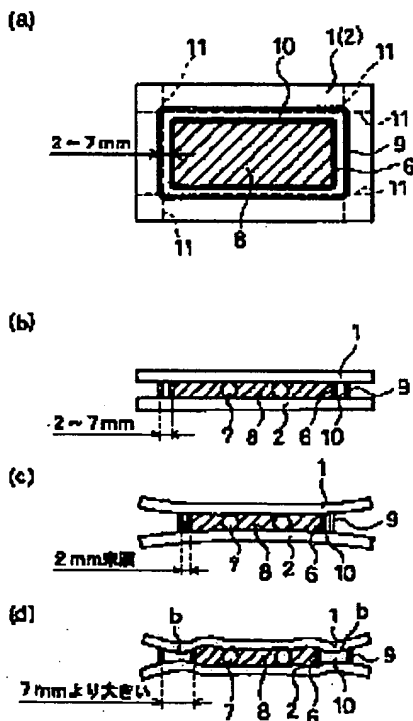
- 1、2 ガラス基板
- 6 第1のシール材
- 7 スペース
- 8 液晶
- 9 第2のシール材
- 10 減圧空間
- 11 パネル切断線

【図1】

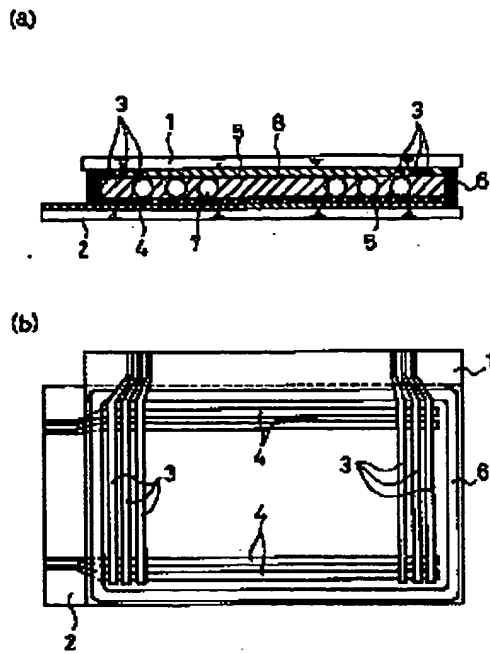


- 1、2...ガラス基板
- 6...第1のシール材
- 7...スペース
- 8...液晶
- 9...第2のシール材
- 10...減圧空間
- 11...パネル切断線

【図2】



【図3】



【図4】

